

EVERSYS
swiss espresso systems

e4 & e4^m



- 56 cm in width.
- 350 products per hour.
- 4 espresso/cappuccino at the same time.
- Modular servicing.

e4

e4^m



TECHNICAL DATA

Productivity

Coffee 350 espresso/hour (23s extraction time)
 Steam Continuous steam supply
 Hot Water & 150 hot water units/hour (2.0dl hot water portions)
 or 350 Cappuccino/hour



emilk system

Technical data

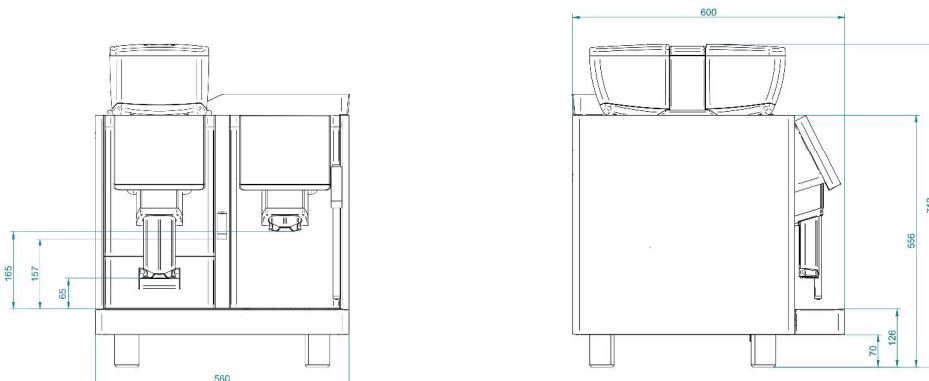
Brew chamber 2 x up to 24 g. Reverse gravity extraction system
 Grinding system 2 x super drive Ø64 mm ceramic grinder burrs
 User Interface 2 x 8" Colour Touch screens to create bespoke products
 Beans hopper 2 x 1.5kg
 Coffee spout height 65...165mm
 Interface USB, SD-Card, Ethernet, Serial, RS-232, CCI (24VDC, 15W)
 Standby mode less than 2W
 Boiler size (China Market only) Total boiler size 11.7l

Design

Dimensions 560 x 600 x 713mm (WxDxH), 840 x 600 x 713mm (WxDxH) with fridge
 Weight ≈ 90 kg, 94 kg with fridge
 Lighting (Front) Full colour LED, colour gradient adjustable

Connection

Power requirement Single-phase 1 x 220 - 240V, 1L-N-PE, 30A, 50/60Hz
 Two-phases 2 x 115V 110 - 120V, 2L-PE, 30A, 50/60Hz
 Three-phases 3 x 220 - 240V, 3L-N-PE, 16A, 50/60Hz
 Water Stainless steel braided hose l=2m with screwcap G3/8", 0 - 4 bar, self priming up to 1m
 Drain Drain hose ø23mm, l=2m
 Water quality Total hardness: 5 - 8°dH / Carbonate hardness: max. 6°KH / pH value: ideal 7.0 - 7.2



Options

 or  + Cup heater

Cup heater
standalone

 + Fridge

